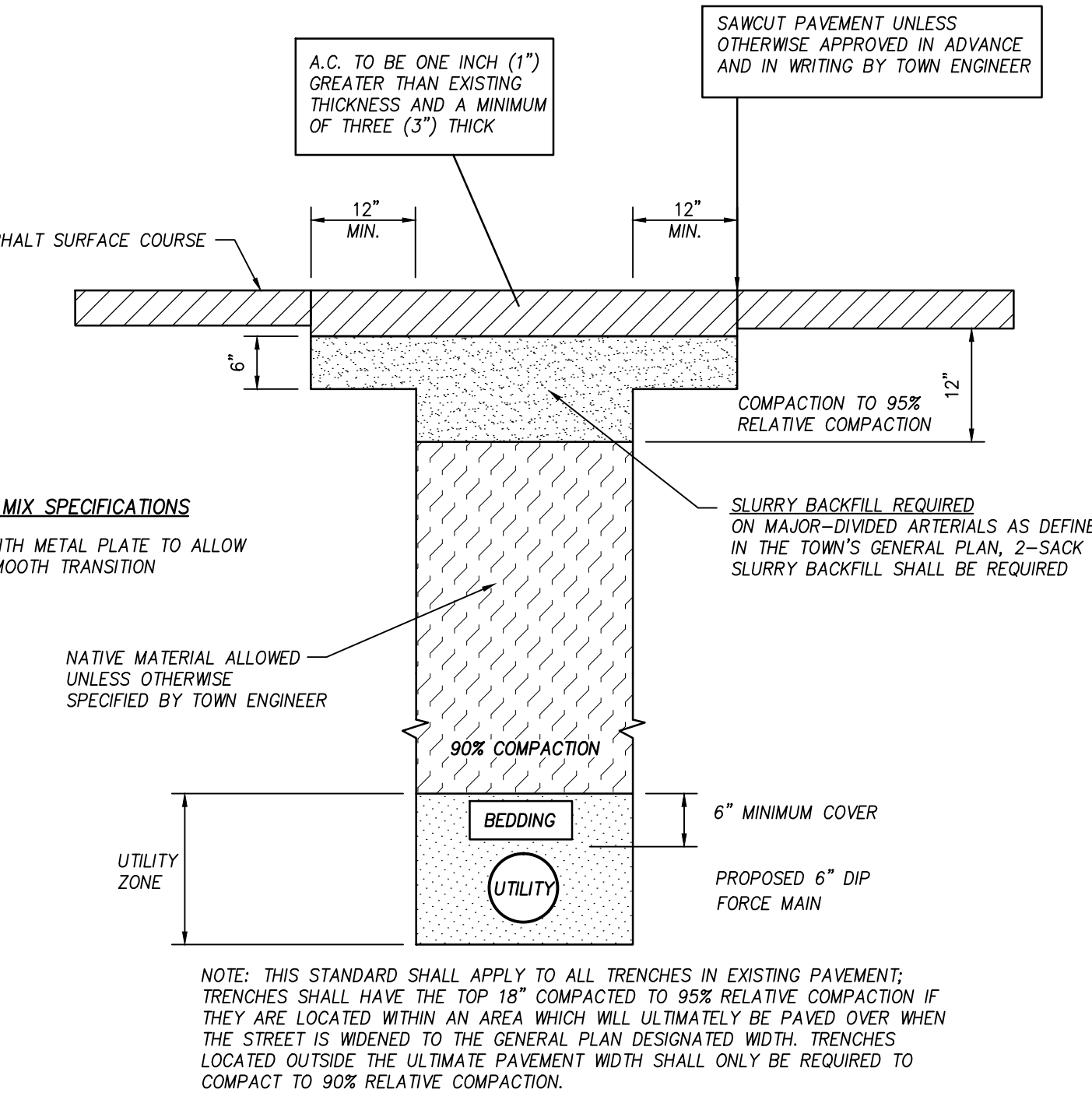
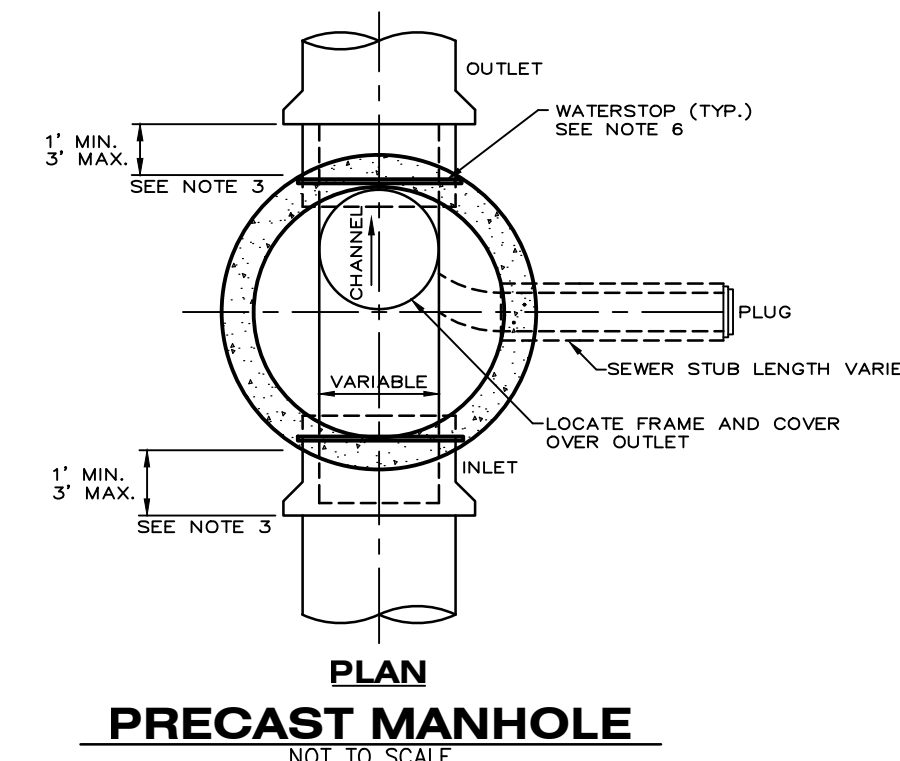
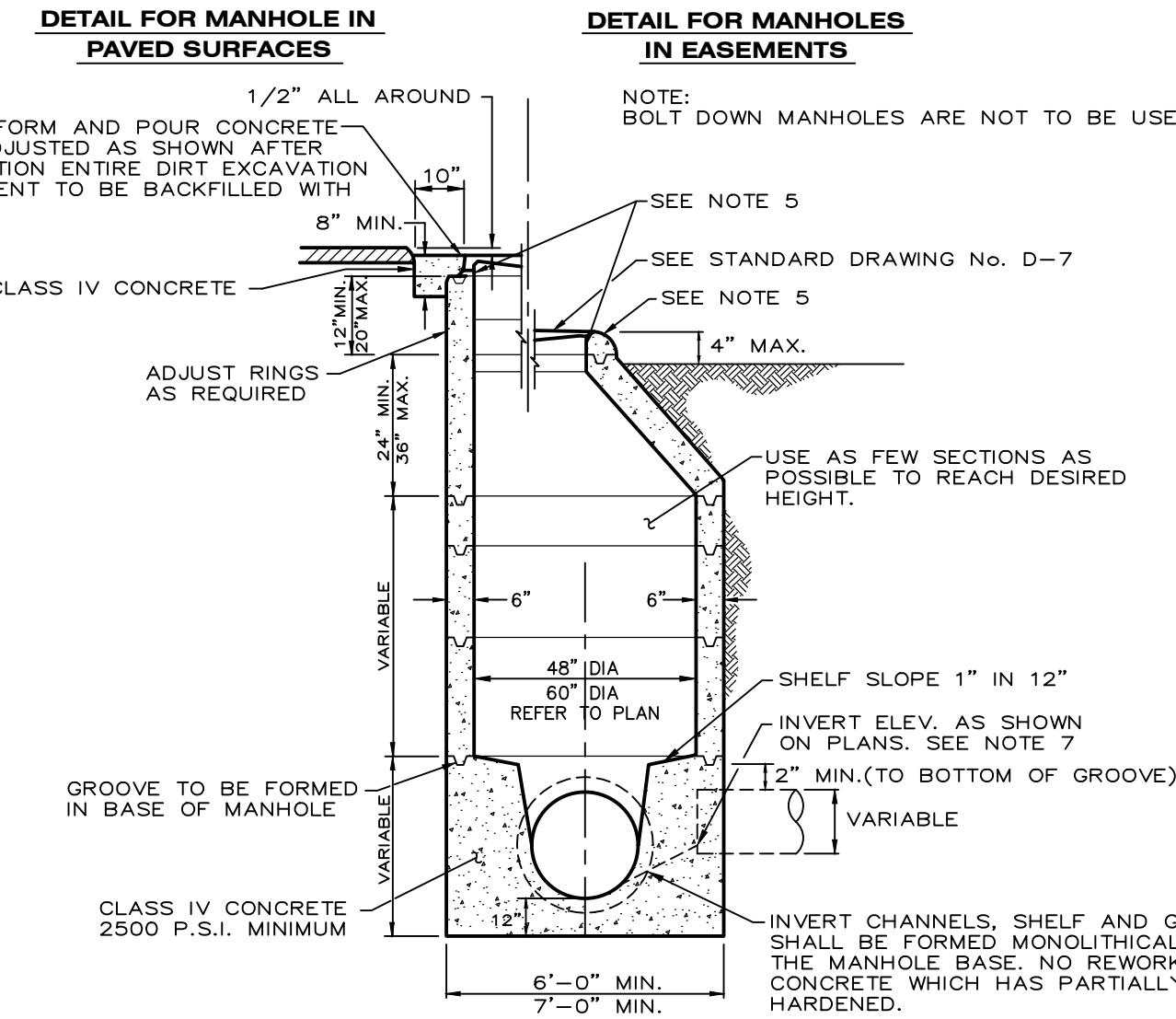


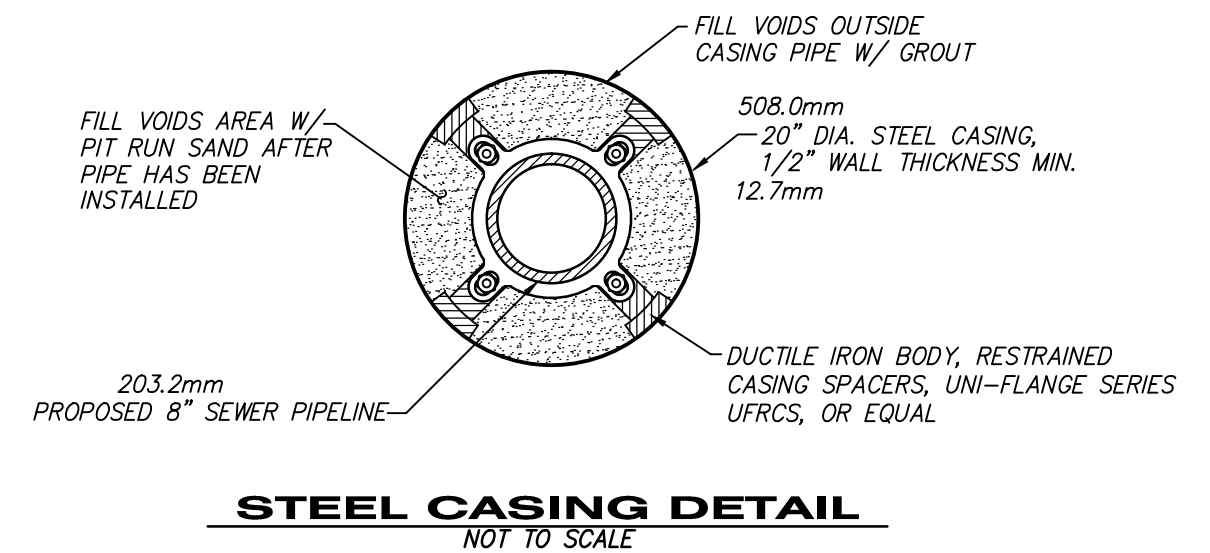
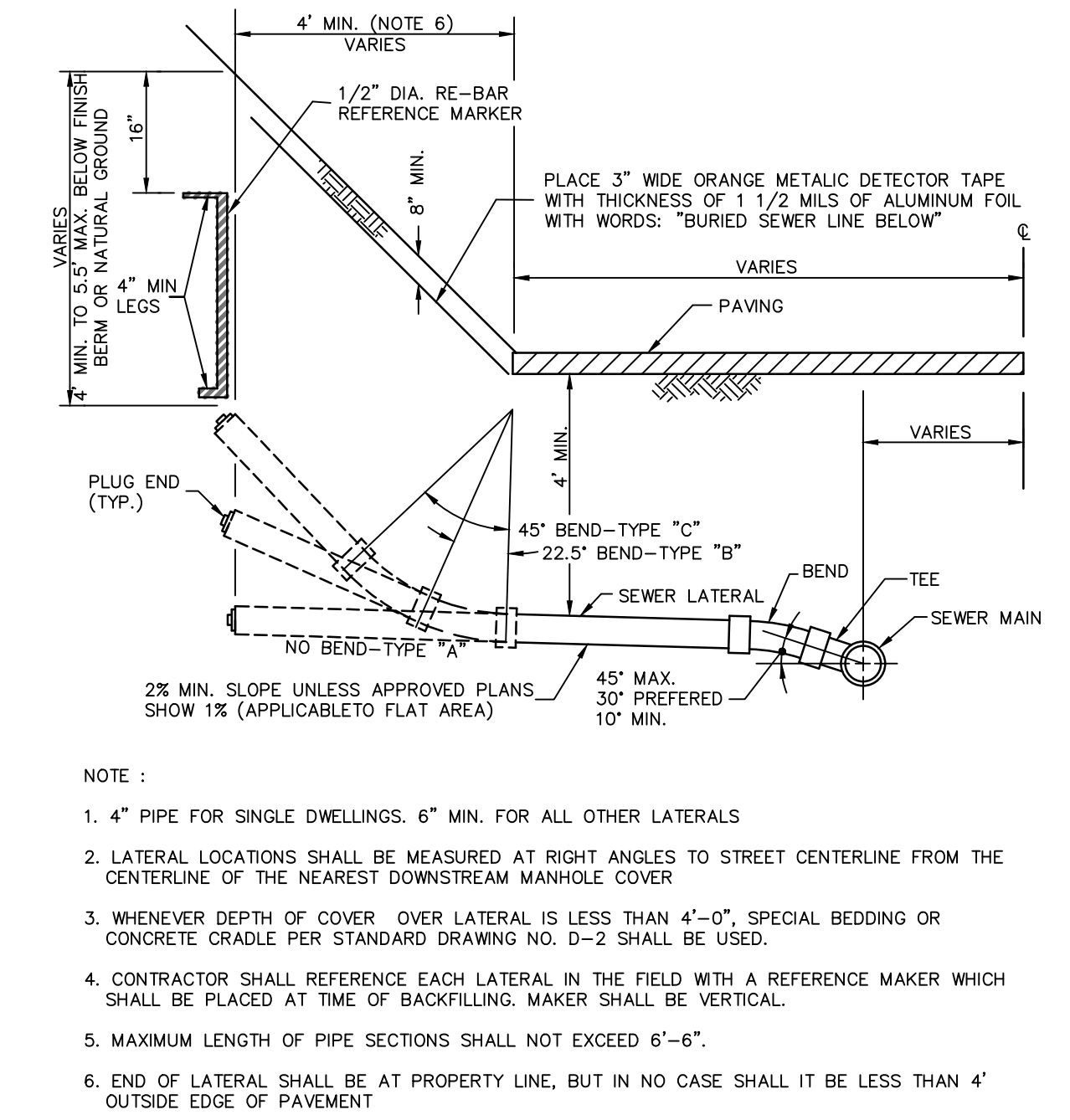
PROTECTION OF UTILITY WATER LINES FROM GRAVITY SEWERS
NOT TO SCALE



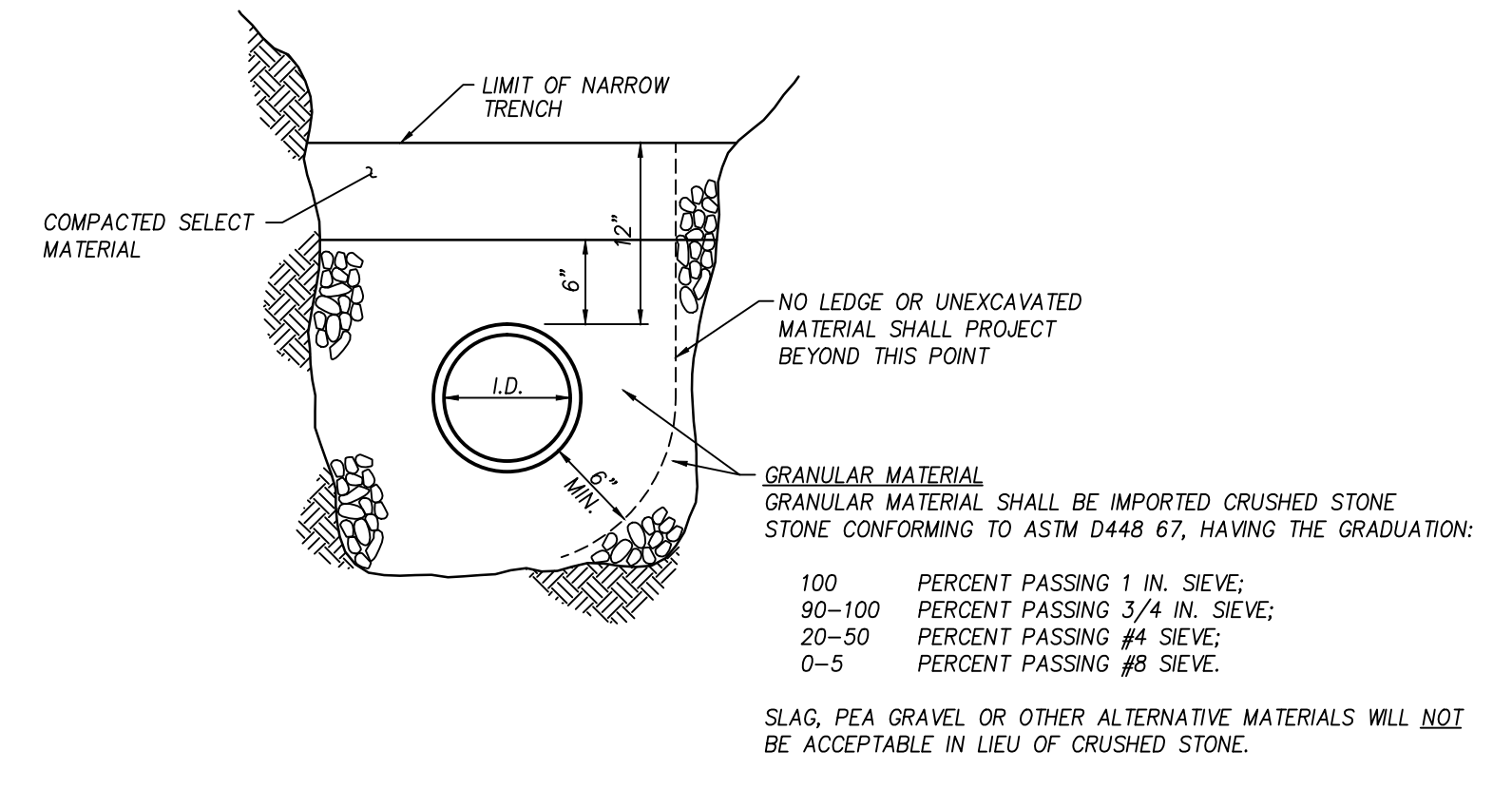
UTILITY TRENCH STANDARD
NOT TO SCALE



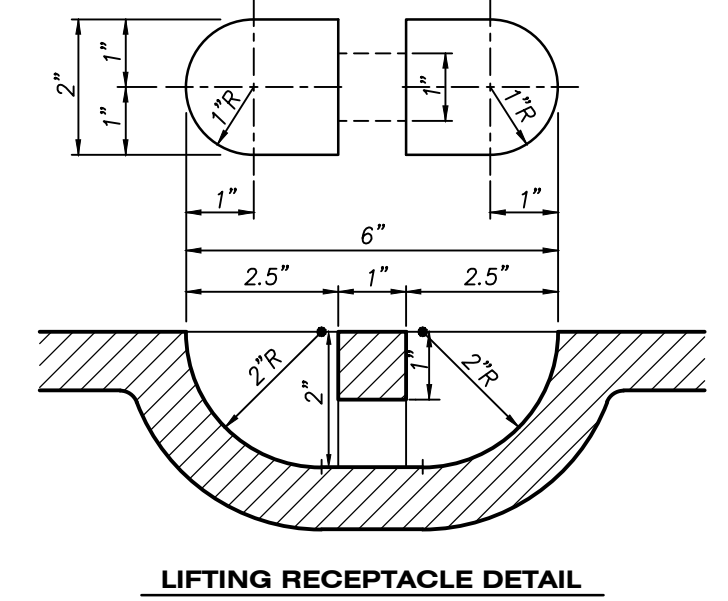
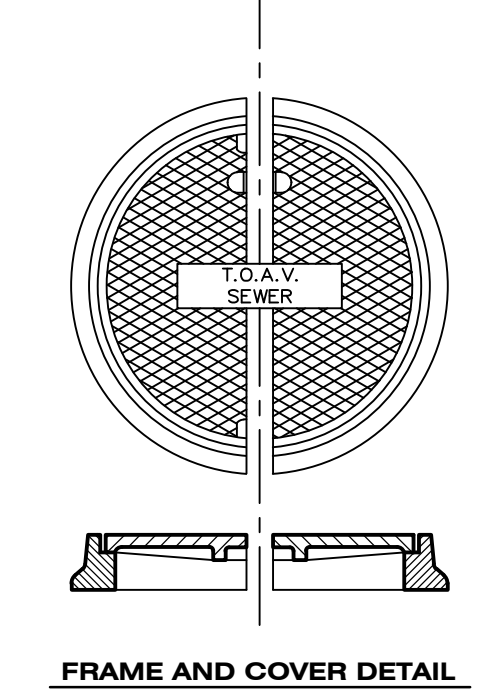
SEWER LATERAL NON-CURBED STREETS TYPES A, B AND C
NOT TO SCALE



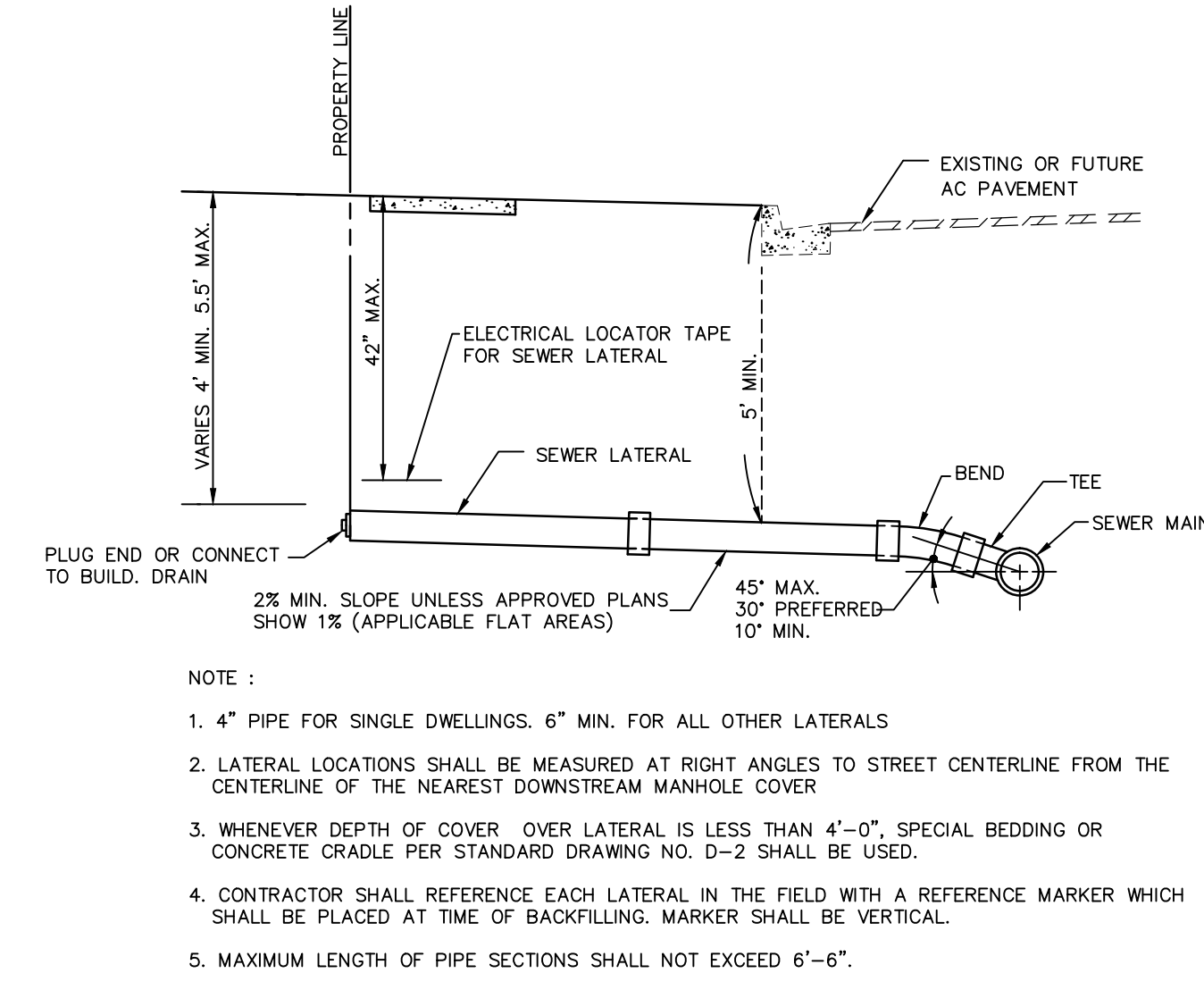
- NOTES:**
- BUTYL RUBBER BASED SEALANTS SHALL BE INSTALLED IN ALL JOINTS BETWEEN PRECAST MANHOLE SECTIONS.
 - CONCRETE FOR MANHOLE SECTIONS 3000 P.S.I. MINIMUM.
 - PROVIDE BELL END AND JOINT AT A DISTANCE OF 1 FOOT MINIMUM, 3 FEET MAXIMUM FROM OUTSIDE DIAMETER OF EACH MANHOLE FOR BOTH INLET AND OUTLET PIPES (NOT REQUIRED FOR STUBS LESS THAN 10 FEET IN LENGTH).
 - ON ALL EASEMENT MANHOLES, THE CONTRACTOR SHALL ANCHOR FRAME TO CONCRETE SECTIONS BY THE USE OF EPOXY OR OTHER METHOD AS APPROVED BY THE ENGINEER.
 - MORTAR AROUND AND UNDER FRAME SHALL HAVE A MIX IN ACCORDANCE WITH THE SPECIFICATIONS AND SHALL BE CURED BY "HUNTS" COMPOUND OR APPROVED EQUAL.
 - INSTALL RUBBER RING WATERSTOPS FOR PVC PIPE AT ALL INLETS, OUTLETS, AND STUB-OUTS
 - REFER TO PLAN FOR SIDE INLET LOCATIONS AND SIZES



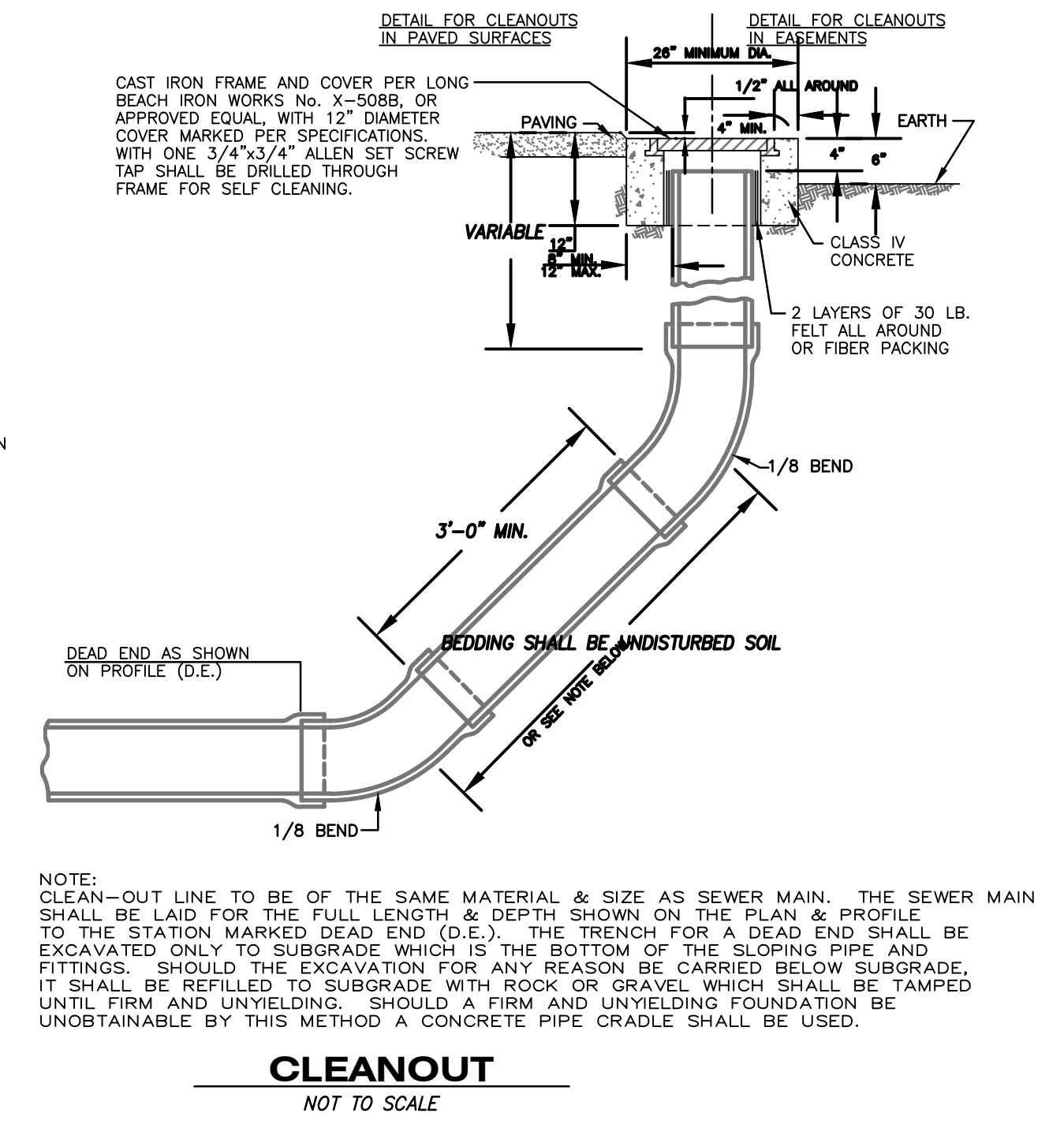
P.V.C. PIPE BEDDING DETAIL
NOT TO SCALE



- MANHOLE FRAME & COVER**
NOT TO SCALE
- NOTES:**
- FRAME AND COVER SHALL BE LONG BEACH IRON WORKS INC. X-106E, ALHAMBRA FOUNDRY INC., LTD. A-1254 OR APPROVED EQUAL WITH LIFTING CAST COVER AS PER DETAIL SHOWN BELOW. COVER SHALL BE TREAD WITH NAME LETTERED AS SHOWN.
 - THE CONTRACTOR, AT THE TIME OF COMPLETION, SHALL FURNISH THE APPLE VALLEY WATER DEPARTMENT WITH A "HOOK" LIFTING TOOL AS APPROVED BY TOWN OF APPLE VALLEY.



SEWER LATERAL - CURBED STREETS
NOT TO SCALE



DESIGNED BY:	SCALE:	PREPARED BY:	ACCEPTED BY:	PROJECT No.	TOWN OF APPLE VALLEY	DRAWING NO.	
DRAWN BY:	SUBMITTED BY:	PROJECT NO.	DATE			DATE	SHEET
CHECKED BY:	DATE	DATE	DATE			DATE	OF