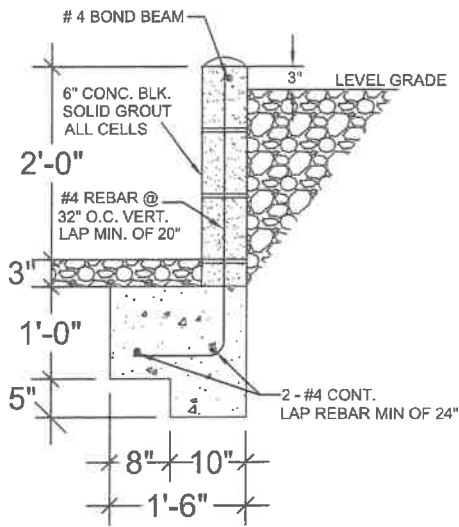
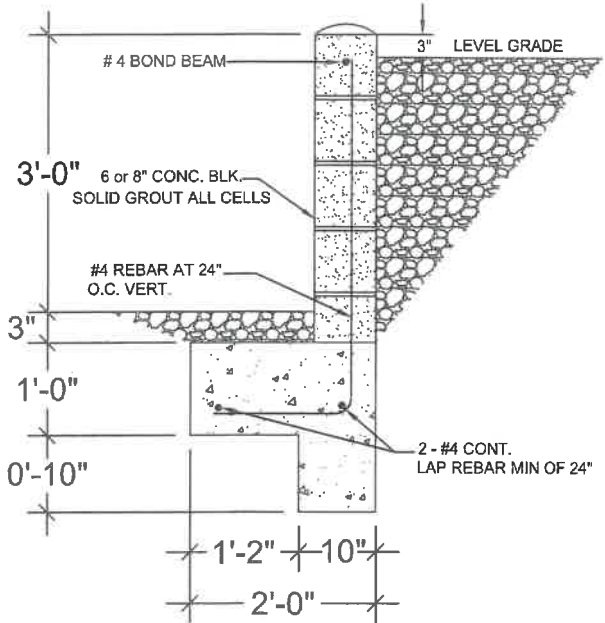


### 2' HIGH RET. WALL

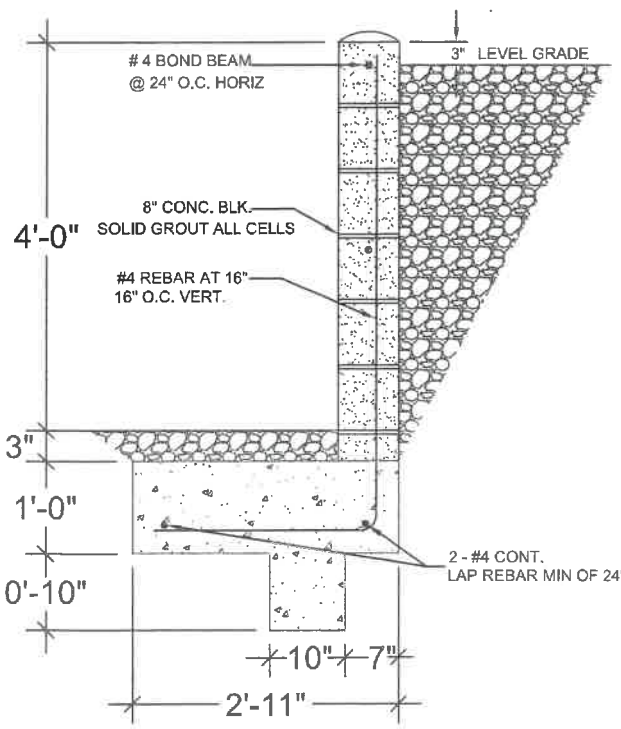


### 3' HIGH RET. WALL

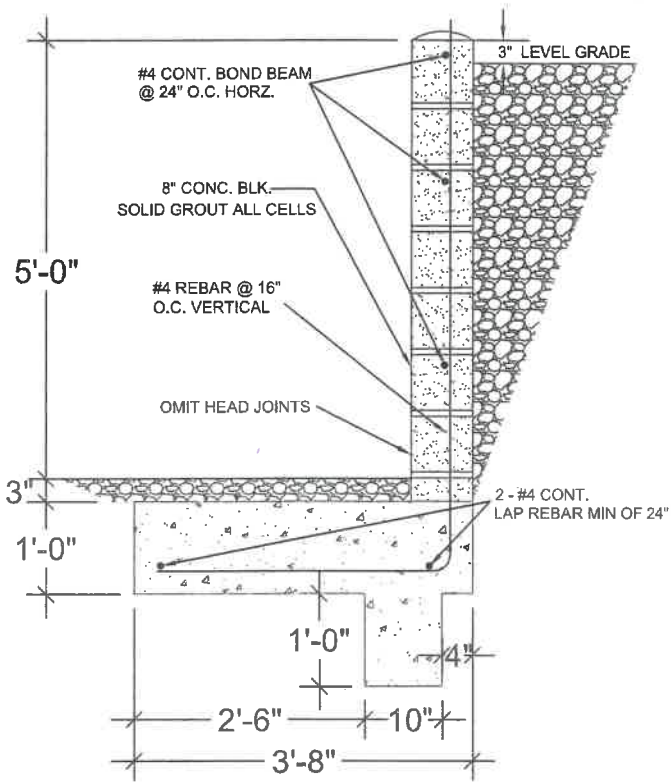


**LAP ALL REBAR MIN. 24"**

### 4' HIGH RET. WALL



### 5' HIGH RET. WALL



**ALL STEEL SHALL BE  
A MINIMUM OF 3"  
FROM EARTH**



Development Department  
Building Division  
2 FT. TO 5FT. HIGH RETAINING  
WALL. FOOTING AWAY  
FROM FILL GRADE LEVEL  
**Town of Apple Valley**